



Alternate ICCP Communications

Bilge Derin

Lead Engineer, EMS Support

Operating Committee

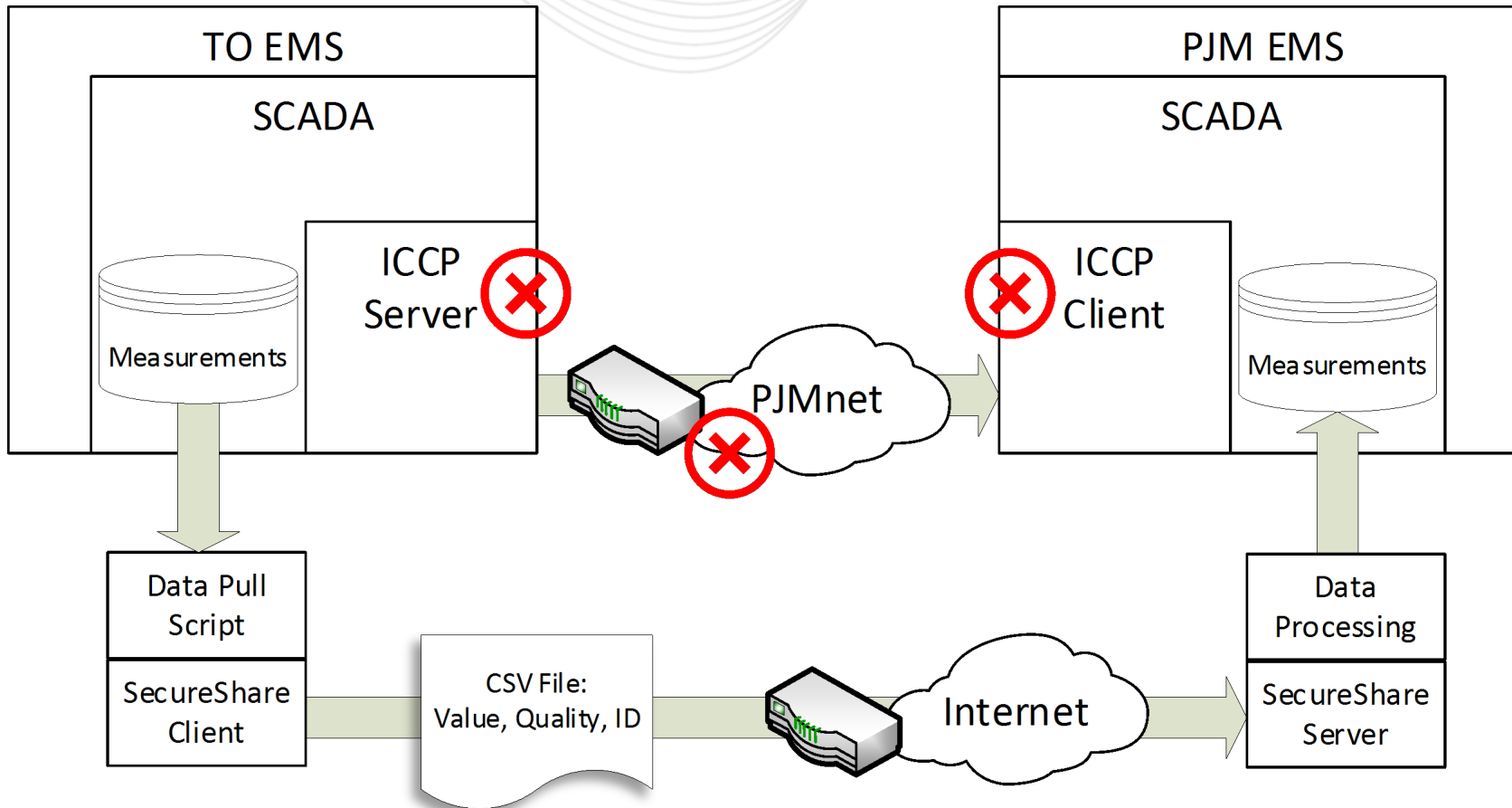
June 6, 2024

- To provide a robust, low maintenance, low barrier to entry, emergency alternative to SCADA ICCP communications sufficient to sustain RTA in emergency conditions.
 - Makes use of existing PJM SecureShare (SFTP)
 - Simple file formats (csv)
 - Low periodicity (max every 5 minutes)
- Members to package (with scripts) a snapshot update of all ICCP data points in a compliant CSV file, upload via SecureShare, which PJM can process to SCADA.
- **Offers very high operational value/cost ratio.**

Unplanned (dual) ICCP link outages

Extended Network (PJMnet) or ICCP outages

ICCP/PJMNet cyber attacks



Pre-Conditions

- Member SCADA system itself must be receiving updates (from RTUs etc.).
- Member has setup SecureShare account and automatic CSV uploads containing the data.
- PJM SCADA and ESB are operational.

Execution

- Member script to process a snapshot of data, relevant to PJM ICCP EXPORT link, into a simple set-format CSV file.
- Upload file to SecureShare every 5-30 minutes.

Phase 1

- On-board as many PJM members as possible, particularly TOs, to the degree that PJM's core RTA is robust against wide-scale ICCP outages.
- **Open for business now! Contact EMSSupport@pjm.com.**

Phase 2

- Offer reverse path – PJM to push snapshot CSV files back to TOs for their RTA
- Timeline tbd, based on demand.

Presenter:
Bilge.Derin@pjm.com
(610) 666 – 3121

Alternate ICCP Comms



Member Hotline

(610) 666 – 8980

(866) 400 – 8980

custsvc@pjm.com