

Utility Microgrid

DERS

July 15, 2019

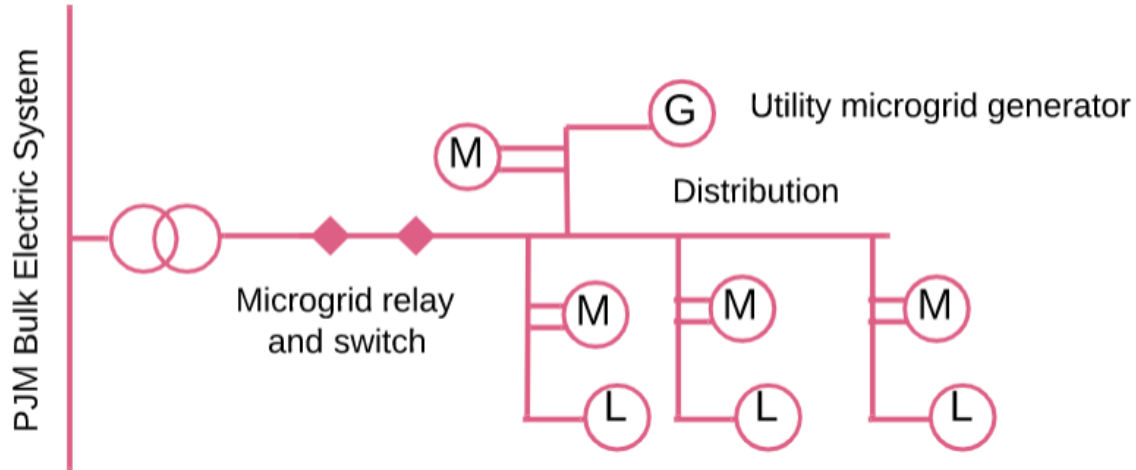
Skyler Marzewski



Monitoring Analytics

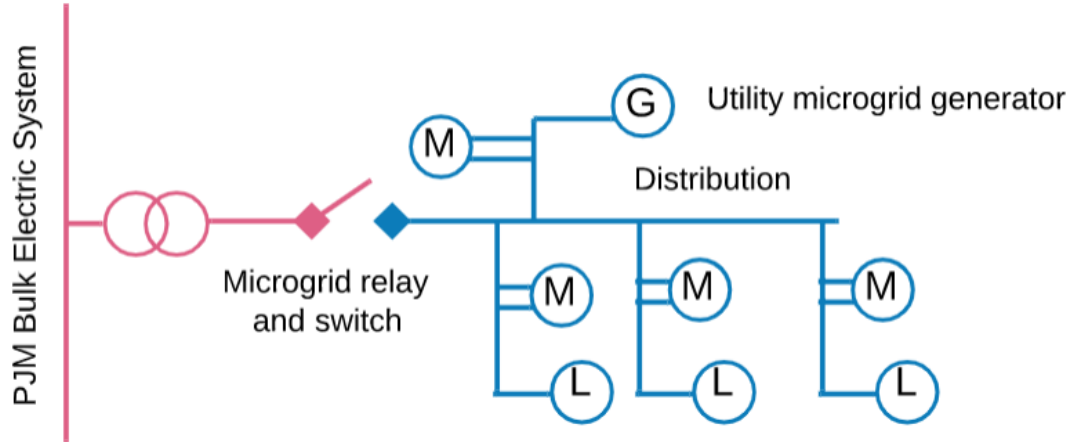
Connected Microgrid

- **Generator functions as a PJM resource**
- **Microgrid load pays LMP**



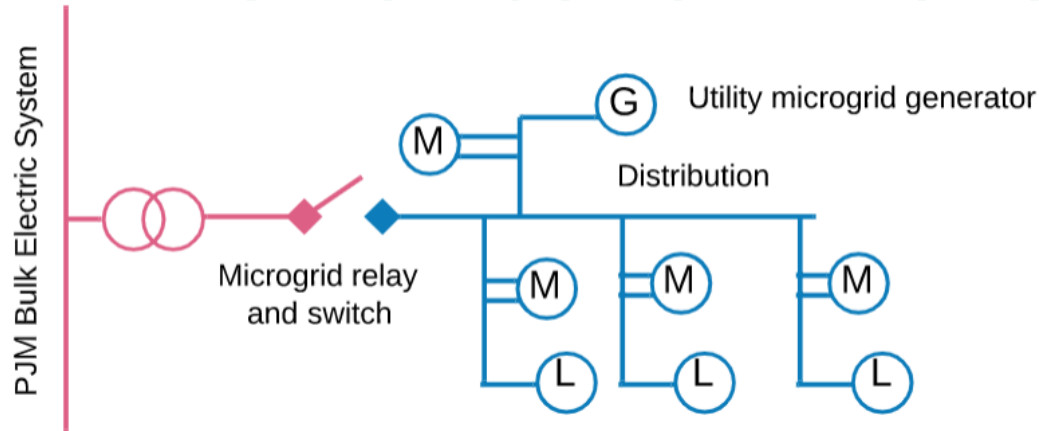
Islanded Microgrid

- **Generator cannot access PJM and can only serve local load**
- **Distribution network supplied by local generator, cannot access PJM**



LMP and Load Settlements

- **LMP on PJM is irrelevant for the microgrid**
- **Load and generation are settled locally within the microgrid**
- **No longer wholesale power when islanded**



Generation Specifics when Islanded

- **Status – Unit is not available, on outage**
- **Ancillary Services – Unit is deassigned and will face any penalties associated with deassignment**
- **PAI – Unit is not available, generation MWh not counted towards Wholesale Capacity Requirement as it is no longer able to supply power to the wholesale grid**



Monitoring Analytics, LLC

2621 Van Buren Avenue

Suite 160

Eagleville, PA

19403

(610) 271-8050

MA@monitoringanalytics.com

www.MonitoringAnalytics.com

